

**BALDOR® • RELIANCE** 

**Product Information Packet**

**CWDM41906T**

**20HP,3525RPM,3PH,60HZ,256TC,3948M,TEFC**

Part Detail							
Revision:	AD	Status:	INA/A	Change #:		Proprietary:	No
Type:	AC	Elec. Spec:	39WG846	CD Diagram:	CD0180	Mfg Plant:	
Mech. Spec:	39R098	Layout:	39LYR098	Poles:	02	Created Date:	
Base:	RG	Eff. Date:	12-26-2014	Leads:	9#10		

Specs			
Catalog Number:	CWDM41906T	Insulation Class:	F
Enclosure:	TEFC	Inverter Code:	Inverter Ready
Frame:	256TC	KVA Code:	J
Output @ Frequency:	20.000 HP @ 60 HZ	Lifting Lugs:	Standard Lifting Lugs
Synchronous Speed @ Frequency:	3600 RPM @ 60 HZ	Locked Bearing Indicator:	Locked Bearing
Voltage @ Frequency:	230.0 V @ 60 HZ	Motor Lead Quantity/Wire Size:	9 @ 10 AWG
	460.0 V @ 60 HZ	Motor Lead Exit:	Ko Box
XP Division:	Not Applicable	Motor Lead Termination:	Flying Leads
Agency Approvals:	CSA	Motor Type:	3948M
	UR	Mounting Arrangement:	F1
Auxillary Box:	No Auxillary Box	Power Factor:	90
Auxillary Box Lead Termination:	None	Product Family:	Wash Down
Base Indicator:	Rigid	Pulley End Bearing Type:	Sealed Bearing
Bearing Grease Type:	Polyrex EM (-20F +300F)	Pulley Face Code:	C-Face
Blower:	None	Pulley Shaft Indicator:	Standard
Current @ Voltage:	22.700 A @ 460.0 V	Rodent Screen:	None
	45.400 A @ 230.0 V	Shaft Extension Location:	Pulley End
	50.000 A @ 208.0 V	Shaft Ground Indicator:	No Shaft Grounding

<b>Design Code:</b>	B	<b>Shaft Rotation:</b>	Reversible
<b>Drip Cover:</b>	No Drip Cover	<b>Shaft Slinger Indicator:</b>	Shaft Slinger
<b>Duty Rating:</b>	CONT	<b>Speed Code:</b>	Single Speed
<b>Electrically Isolated Bearing:</b>	Not Electrically Isolated	<b>Motor Standards:</b>	NEMA
<b>Feedback Device:</b>	NO FEEDBACK	<b>Starting Method:</b>	Direct on line
<b>Front Face Code:</b>	Standard	<b>Thermal Device - Bearing:</b>	None
<b>Front Shaft Indicator:</b>	None	<b>Thermal Device - Winding:</b>	None
<b>Heater Indicator:</b>	No Heater	<b>Vibration Sensor Indicator:</b>	No Vibration Sensor

<b>Nameplate NP1496L</b>										
<b>CAT.NO.</b>										
<b>SPEC.</b>	39R098W846H1									
<b>HP</b>	20									
<b>VOLTS</b>	230/460									
<b>AMP</b>	45.4/22.7									
<b>RPM</b>	3525									
<b>FRAME</b>	256TC				<b>HZ</b>	60			<b>PH</b>	3
<b>SER.F.</b>	1.15			<b>CODE</b>	J	<b>DES</b>	B		<b>CLASS</b>	F
<b>NEMA-NOM-EFF</b>	91			<b>PF</b>	90					
<b>RATING</b>	40C AMB-CONT									
<b>CC</b>	010A				<b>USABLE AT 208V</b>			50		
<b>DE</b>	6309			<b>ODE</b>	6208					
<b>ENCL</b>	TEFC			<b>SN</b>						

Parts List		
Part Number	Description	Quantity
SA084755	SA 39R098W846H1	1.000 EA
RA077915	RA 39R098W846H1	1.000 EA
MJ5002A01	SILICON RUBBER SEALANT, 732CL 10.3 OZ TU	0.025 EA
HA6016WP	ADAPTER, CONDUIT BOX, W/WHITE EPOXY, PRIM	1.000 EA
09GS1006	GASKET, CONDUIT BOX, NEOP-1/16 THICK-BLA	1.000 EA
09CB3002A01P	CB MACH - 1.25 N.P.T. LEAD HOLE W/EPOXY	1.000 EA
51XW2520A12	.25-20 X .75, TAPTITE II, HEX WSHR SLTD	2.000 EA
HW1001A25	LOCKWASHER 1/4, ZINC PLT .493 OD, .255 I	2.000 EA
WD1000B17	T&B CX35TN TERMINAL	1.000 EA
11XW1032G06	10-32 X .38, TAPTITE II, HEX WSHR SLTD U	1.000 EA
39EP1100A08WP	FR ENDPLATE, MACH W/WHITE EPOXY, PRIMED	1.000 EA
HW5100A08	W3118-035 WVY WSHR (WB)	1.000 EA
HW4600B44	V-RING SLINGER 1.500 X 1.810 X .28 VITON	1.000 EA
HW2502G25	#303 SS,SQ KEY 3/8 X 2.880	1.000 EA
MJ5001A27	32220KN GRAY SEALER *MIN BUY 4 QTS=1GAL	0.031 QT
39EP1500A04P	PU ENDPLATE, MACH W/EPOXY PRIMER	1.000 EA
HW4600B53	SEAL 1.688 X 2.275 X 0.312 SINGLE LIP DB	1.000 EA
10XN2520S28	1/4-20X 1 3/4 HEX HD SS X	4.000 EA
HA3154S02	THRUBOLT STUD 3/8-16 X 15.875 SS	4.000 EA
XY3816S12	3/8-16 HEX FINISHED NUT SS	8.000 EA
HA2001B08	SPL SPACER FOR AIR DEFLECTOR .50 O.D. X	3.000 EA
09FH4000A23MWP	FAN COVER, MACH W/WHITE EPOXY	1.000 EA
10XN2520S16	41/4-20 X 1 HEX HEAD SS	3.000 EA
09CB3501P	CONDUIT BOX LID FOR 09CB3001 & 09CB3002	1.000 EA

Parts List (continued)		
Part Number	Description	Quantity
12GS1002	GASKET, CONDUIT BOX LID, NEOP	1.000 EA
19XT2520S12	1/4-20X3/4 HWH NO SLOT TY.23 18-8 S.S.	2.000 EA
HW1001S25	WASHER, 1/4 SPLT LK, STAINLESS STEEL	2.000 EA
HW4600B44	V-RING SLINGER 1.500 X 1.810 X .28 VITON	1.000 EA
LB1115N	LABEL,LIFTING DEVICE (ON ROLLS)	1.000 EA
LB1164	LABEL,WARNING AND DRAIN	1.000 EA
HW4032A01	BLACK DRAIN PLUG FOR WASH DOWN MOTORS	3.000 EA
MJ1000A02	GREASE, MOBIL POLYREX EM - 124047	0.085 LB
HW4032A01	BLACK DRAIN PLUG FOR WASH DOWN MOTORS	3.000 EA
51XB1214A20	12-14X1.25 HXWSSLD SERTYB	1.000 EA
MG1025W01	WILKOFAS, 781.01, SIGNAL WHITE #9003	0.050 GA
85XU0407S04	4X1/4 U DRIVE PIN STAINLESS	2.000 EA
LB1119N	WARNING LABEL	1.000 EA
LB1125C01	STD (STOCK) CARTON LABEL BALDOR WITH FLA	4.000 EA
37FN3002C02	EXFN, PLASTIC, 6.00 OD, 1.503 ID	1.000 EA
HW2500A25	WOODRUFF KEY USA #1008 #BLOW CARBON STEE	1.000 EA
LC0181	CONNECTION LABEL	1.000 EA
NP1496L	SS WD UL CSA CC	1.000 EA
40PA1000	PACKAGING GROUP	1.000 EA
MN416A01	TAG-INSTAL-MAINT no wire (1200/bx) 3/19	1.000 EA
HA5027A01	HA4066A01 T-DRAIN X2 BAGGED	1.000 EA
09GS1017	GASKET, CONDUIT BOX, .125 THICK BLACK NE	1.000 EA
LB1417	LABEL CARTON 6X4 PERFORATED BLANK ROLLS	1.000 EA

**AC Induction Motor Performance Data**

Record # 12961 - Typical performance - not guaranteed values

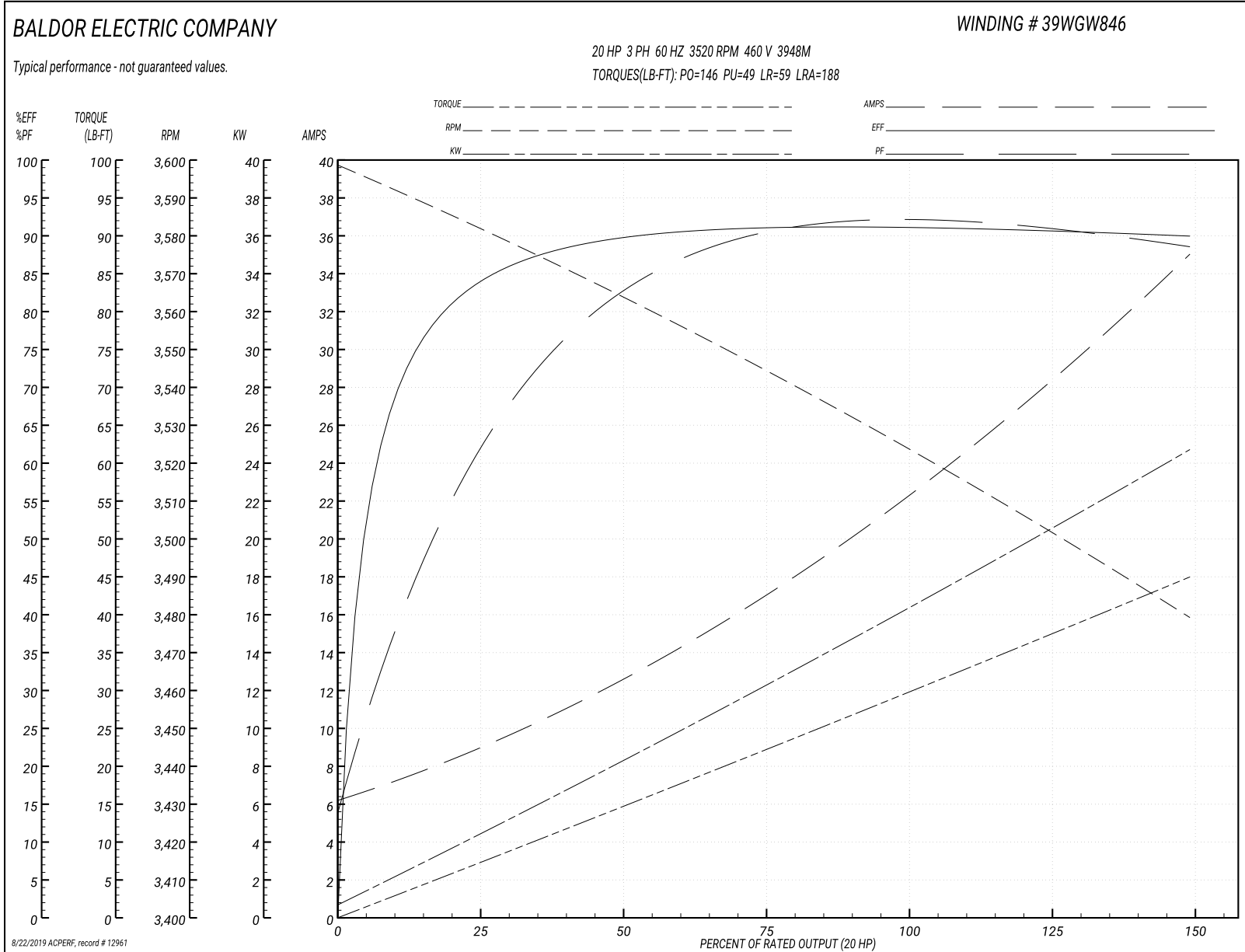
<b>Winding:</b> 39WGW846-R001	<b>Type:</b> 3948M	<b>Enclosure:</b> TEFC
-------------------------------	--------------------	------------------------

Nameplate Data				460 V, 60 Hz: High Voltage Connection	
Rated Output (HP)	20			Full Load Torque	30 LB-FT
Volts	230/460			Start Configuration	direct on line
Full Load Amps	46/23			Breakdown Torque	146 LB-FT
R.P.M.	3520			Pull-up Torque	49 LB-FT
Hz	60	Phase	3	Locked-rotor Torque	59 LB-FT
NEMA Design Code	A	KVA Code	J	Starting Current	188 A
Service Factor (S.F.)	1.15			No-load Current	6.4 A
NEMA Nom. Eff.	91	Power Factor	90	Line-line Res. @ 25°C	0.375 Ω
Rating - Duty	40C AMB-CONT			Temp. Rise @ Rated Load	82°C
S.F. Amps				Temp. Rise @ S.F. Load	98°C
				Locked-rotor Power Factor	28.2
				Rotor inertia	1.23 LB-FT <sup>2</sup>

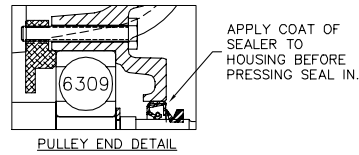
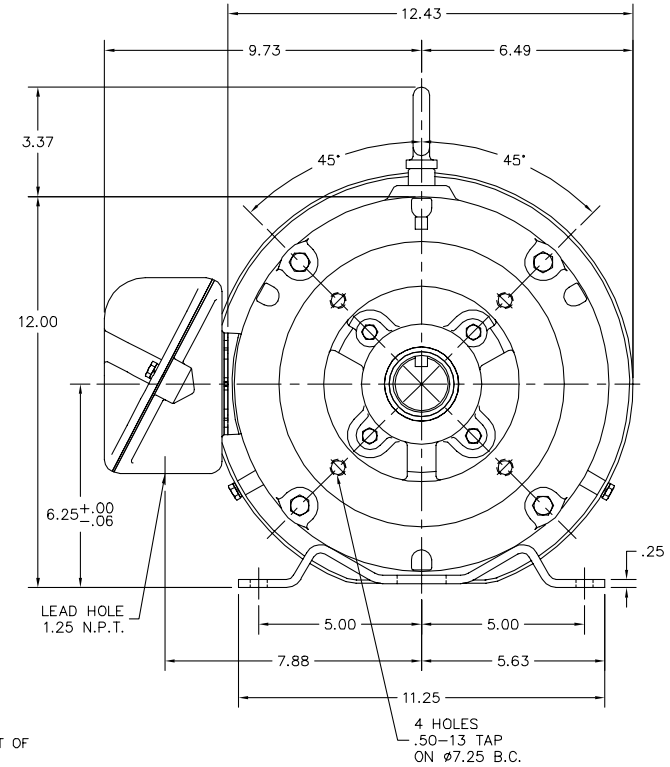
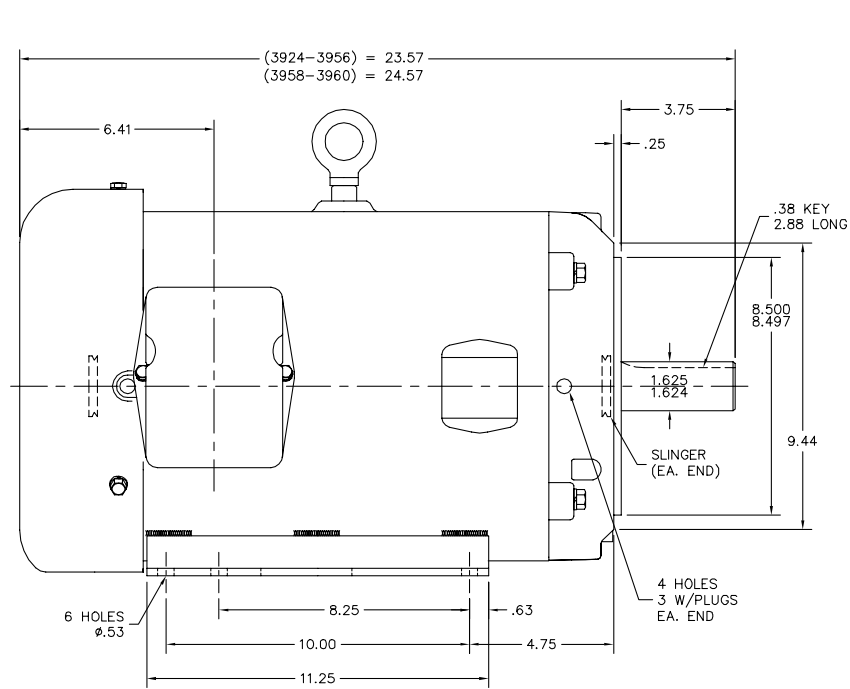
Load Characteristics 460 V, 60 Hz, 20 HP

% of Rated Load	25	50	75	100	125	150	S.F.
Power Factor	63	81	88	90	91	91	91
Efficiency	83.8	89.7	91.1	91.2	90.7	89.9	90.9
Speed	3581	3563	3544	3523	3502	3479	3510
Line amperes	8.7	12.7	17.4	22.7	28.1	35.1	25.9

Performance Graph at 460V, 60Hz, 20.0HP Typical performance - Not guaranteed values



39LYR098



CUSTOMER IS RESPONSIBLE FOR DETERMINING THAT BALDOR'S PRODUCT WILL PERFORM SUITABLY IN THE INTENDED APPLICATION.

REV. DESC: ADD MAX STACK OF 3960M	VERSION: 07	TDR: 000001017799
REV. LTR: G	REvised: 08:34:05 03/01/2017	BY: ENSHABO
FILE: \AAA\00093\157		
MTL: -		

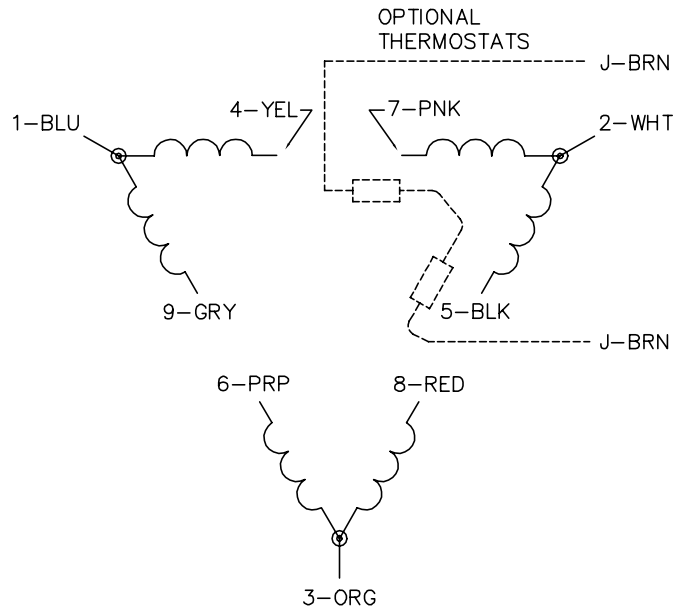
**BALDOR**

HOR TEFC 254-6TC - HOSE DOWN (SP#9)

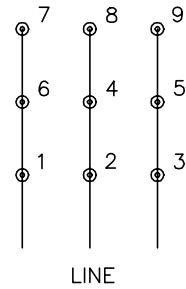
SH 1 of 1

39LYR098

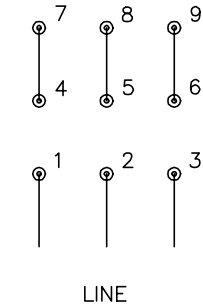
CD0180



LOW VOLTAGE  
(2D)



HIGH VOLTAGE  
(1D)



NOTES:

1. INTERCHANGE ANY TWO LINE LEADS TO REVERSE ROTATION.
2. OPTIONAL THERMOSTATS ARE PROVIDED WHEN SPECIFIED.
3. ACTUAL NUMBER OF INTERNAL PARALLEL CIRCUITS MAY BE A MULTIPLE OF THOSE SHOWN ABOVE.
4. LEAD COLORS ARE OPTIONAL. LEADS MUST ALWAYS BE NUMBERED AS SHOWN.

CD0180

REV. DESC: ADD CLASS CONN00000007		
REV. LTR: D	VERSION: 01	TDR: 000001099922
FILE: \AAA\00005\148	REVISED: 10:25:29 02/19/2019	BY: ENBRIRO
MTL: -	© □	

**BALDOR - RELIANCE**®

3PH, DV, 9 LEADS, DELTA CONNECTION

SH 1 of 1