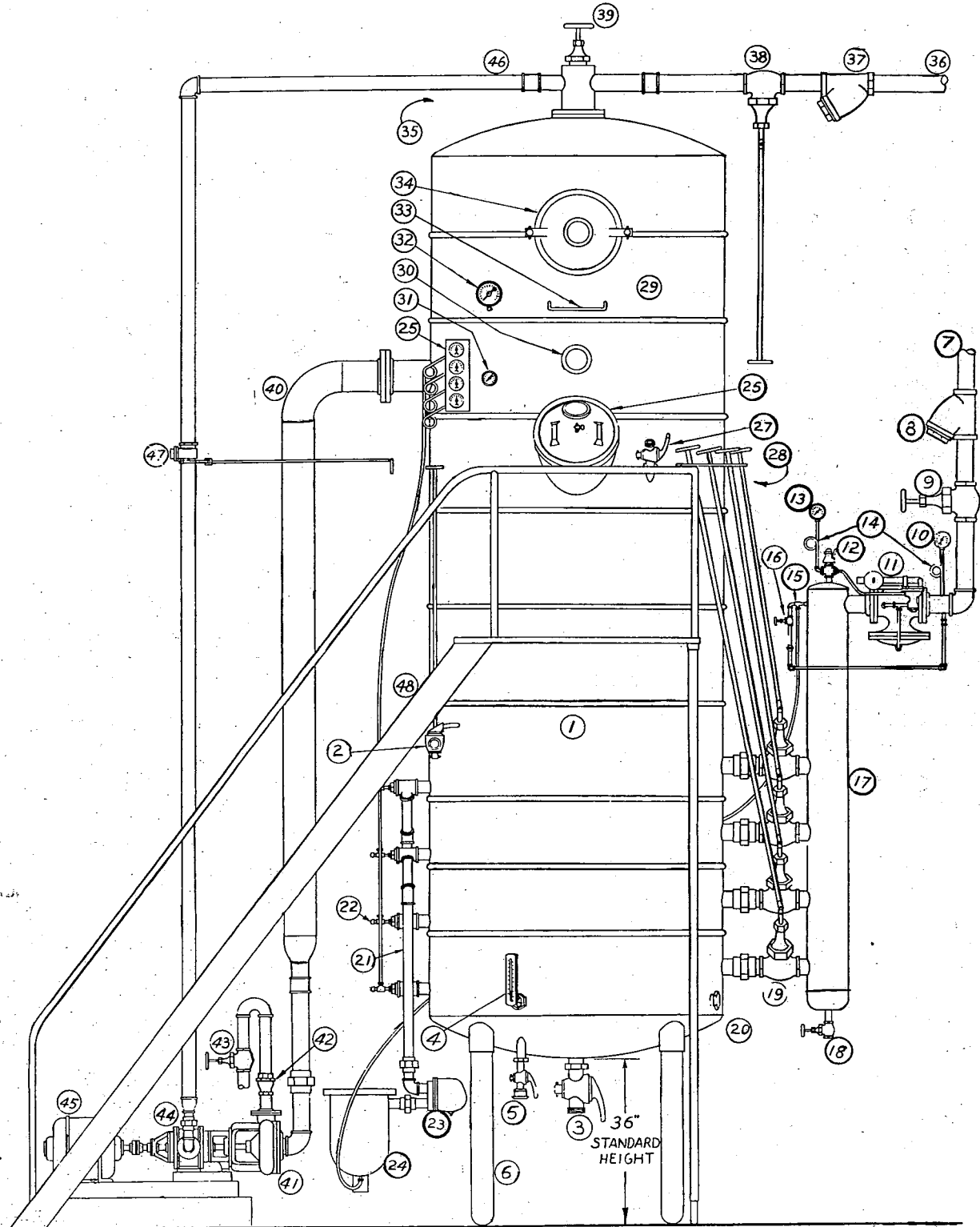


MOJONNIER VACUUM PAN WITH VERTICAL COUNTER-CURRENT CONDENSER. COMPLETE WITH STANDARD FITTINGS, SPECIAL FITTINGS, ACCESSORIES AND MOTOR DRIVEN VACUUM PUMP-WATER REMOVAL PUMP UNIT.

KEY TO FIGURES

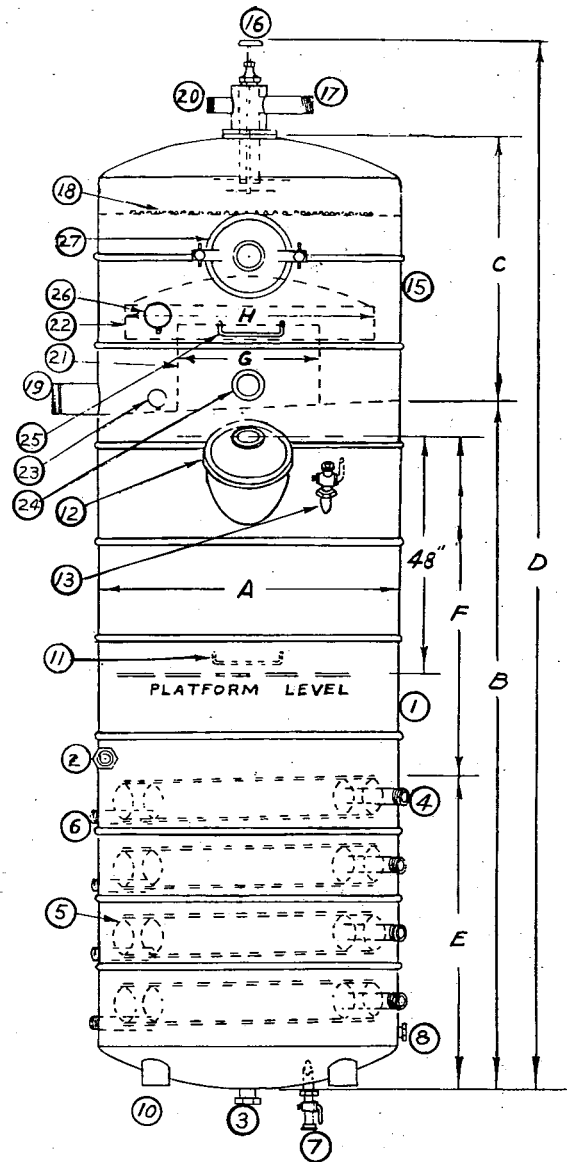
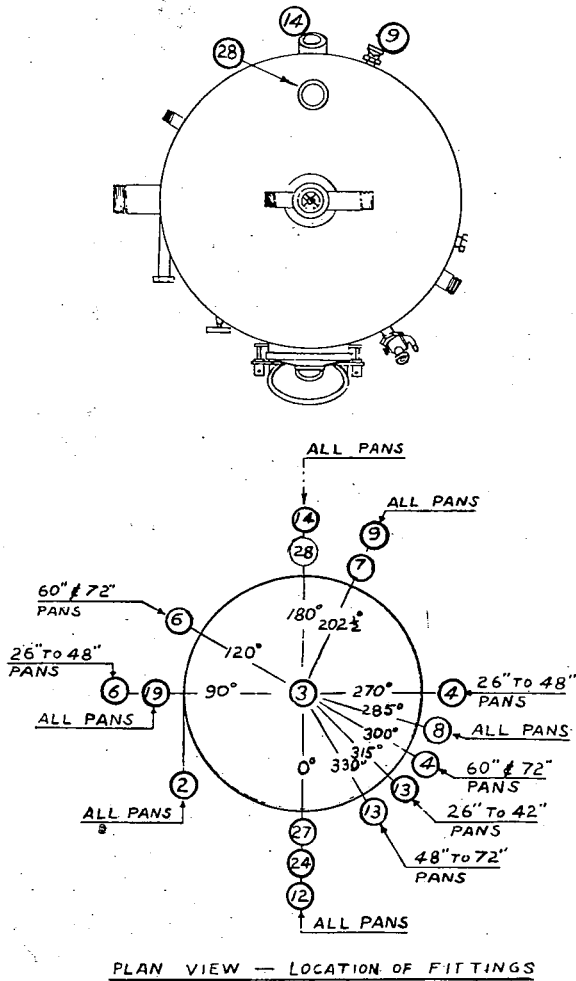
1. Vacuum Pan.
2. Milk Inlet Valve.
3. Milk Outlet Valve.
4. Sanitary Milk Thermometer.
5. Striking Cup Valve.
6. Pipe Legs.
7. Steam Inlet.
8. Steam Strainer.
9. Steam Inlet Valve.
10. High Pressure Gauge.
11. Steam Pressure Regulator.
12. Safety Valve.
13. Low Pressure Gauge.
14. Syphons.
15. Water Injector.
16. Globe Valve.
17. Steam Header.
18. Drain Valve.
19. Coil Inlet Valves.
20. Superheater Connection.
21. Condensate Outlets.
22. Air Vents.
23. Steam Traps.
24. Condensate Receiver.
25. Pressure-Vacuum Gauges.
26. Manhole with Sight Glass and Glass Cleaner.
27. Vacuum Break Valve.
28. Light Glass in Rear opposite Manhole.
29. Condenser.
30. Sight Glass.
31. Water Thermometer.
32. Vacuum-Temperature Gauge.
33. Ladder Rung.
34. Manhole with Sight Glass.
35. Light Glass in Top Rear.
36. Water Inlet.
37. Water Strainer.
38. Water Inlet Valve.
39. Water Spray Valve.
40. Water Outlet.
41. Water Removal Pump.
42. Check Valve.
43. Water Discharge Valve.
44. Vacuum Pump.
45. Motor.
46. Air Outlet.
47. Quick Opening Valve.
48. Platform and Stairs.



Standard Complete.
Right Hand Assembly
Shown



MOJONNIER VACUUM PAN WITH VERTICAL COUNTER-CURRENT CONDENSER AND STANDARD FITTINGS.



KEY TO FIGURES

- 1. Vacuum Pan.
- 2. Milk Inlet.
- 3. Milk Outlet.
- 4. Steam Inlets.
- 5. Coils.
- 6. Condensate Outlets.
- 7. Striking Cup Valve (with 3 Hydrometers).
- 8. Superheater Connection.
- 9. Milk Thermometer at Bottom of Pan.
- 10. Leg Couplings.

- 11. Ladder Rung on Inside.
- 12. Manhole Cover with Sight Glass and Glass Cleaner.
- 13. Vacuum Break Valve.
- 14. Light Well with Glass and Shade opposite Lower Manhole.
- 15. Condenser.
- 16. Water Spray Valve.
- 17. Water Inlet.
- 18. Water Deflector.

- 19. Water Outlet.
- 20. Air Outlet.
- 21. Throat.
- 22. Vapor Hood.
- 23. Water Thermometer.
- 24. Sight Glass.
- 25. Ladder Rung.
- 26. Vacuum-Temperature Gauge.
- 27. Manhole Cover with Sight Glass.
- 28. Light Glass with Shade.

DIMENSION TABLE

CODE WORD	CAT. NO.	Dimensions in Inches—Subject to Minor Revisions															
		A	B	C	D	E	F	G	H	2	3	4	6	17	19	20	10
ENJAK	M-98-B	26	94	40	152	33	52	10	18	1	1½	1	¾	1½	3	1½	2
ENKAL	M-98-C	36	105	44	168	40	55	18	28	1½	2	1½	1½	2	4	1½	3
ENLAM	M-98-D	42	126	45	171	42	64	18	30	1½	2	2	2	2	5	1½	3
ENMAN	M-98-E	48	141	49	209	58	68	22	40	2	2	2½	2	2½	5	2	3
ENNAP	M-98-F	60	142	54	216	63	72	28	50	2	3	3	2	3	6	2½	4
ENPAQ	M-98-G	72	161	60	241	67	82	34½	58	3	3	4	2½	4	8	2½	5



Mojonnier VACUUM PAN

GENERAL SPECIFICATIONS

Line No.	Inside Diameter of Vacuum Pan		16"	26"	36"	42"	48"	60"	72"	
1	Model		M98A	M98B	M98C	M98D	M98E	M98F	M98G	
2	Code Word		ENHAJ	ENJAK	ENKAL	ENLAM	ENMAN	ENNAP	ENPAQ	
3	Shipping Weight Pounds	Vacuum Pan and Fittings	Domestic	1000	1500	2000	3000	3500	4000	5000
4			Export	1500	2200	3000	4500	5300	6000	7500
5		Special Fittings and Controls	Domestic	100	300	500	700	900	1200	1400
6			Export	150	500	750	1000	1300	1800	2100
7	Shipping Space Cu. Ft.	Vacuum Pan and Standard Fittings		35	100	250	350	450	700	950
8		Special Fittings and Accessories		5	10	15	25	30	35	50
9	Heating Surface, Square Feet		5.5	15	35	66	111	158	261	
10	Capacity Pounds Water Evaporated Per Hour (Milk preheated to 210° F)		140-200	450-600	1000-1400	1900-2600	3000-4500	4500-6000	7500-10000	
11	Minimum to Maximum Size Batch Vacuum Pan will Finish, U. S. Gallons		4-15	20-75	40-175	70-300	100-450	150-650	200-1000	
12	Gallons Condensing Water Required per Minute at 25" Vacuum (134° F)	55° Water	5	18	41	78	134	179	298	
13		85° Water	9	29	68	125	216	288	480	
14	Horse Power Boiler Recommended		3-5	10-15	30-45	75-100	100-125	125-150	200-250	
15	Number and Size Hot Wells Recommended	Number U.S. Gallons	1 20	1 100	1 200	2 500	2 500	2 600	2 1000	

SIZES OF STANDARD FITTINGS

Line No.	Inside Diameter of Vacuum Pan		16"	26"	36"	42"	48"	60"	72"
1	High Pressure Steam Inlet		3/4"	1"	1 1/4"	2"	2 1/2"	3"	4"
2	Heating Coil Inlet	Number Size	1	3	3	3	4	4	4
		Size	1"	1"	1 1/2"	2"	2 1/2"	3"	4"
3	Heating Coil Outlet	Number Size	1	3	3	3	4	4	4
		Size	1"	3/4"	1 1/2"	2"	2"	2"	2 1/2"
4	Air Outlet in Condenser—Size			1 1/2"	1 1/2"	1 1/2"	2"	2 1/2"	2 1/2"
5	Water Inlet in Condenser—Size		1"	1 1/2"	2"	2"	2 1/2"	3"	4"
6	Water Outlet in Condenser—Size		2"	3"	4"	5"	5"	6"	8"
7	Milk Inlet Connection—Size		1"	1 1/2"	1 1/2"	1 1/2"	2"	2"	3"
8	Milk Outlet Connection—Size		1"	1 1/2"	2"	2"	2"	3"	3"
9	Superheater Connection—Size		1 1/2"	1 1/2"	2"	2"	2"	2"	2"
10	Air Break Valve—Size		1"	1"	1"	1"	1"	1 1/2"	1 1/2"
11	Milk Thermometer—Size		1 1/2"	1 1/2"	1 1/2"	1 1/2"	1 1/2"	1 1/2"	1 1/2"
12	Water Thermometer—Size—J.P.S.		1/4"	1/4"	1/4"	1/4"	1/4"	1/4"	1/4"
13	Pipe Legs—Size		1 1/2"	2"	2"	3"	3"	4"	5"
14	Manhole in Pan—Diameter		16"	16"	16"	16"	16"	16"	16"
15	Manhole in Condenser—Diameter				16"	16"	16"	16"	16"
16	Sight Glass in Pan Manhole Cover—Diameter		5"	5"	5"	5"	5"	5"	5"
17	Sight Glass in Condenser Manhole Cover—Diameter			5"	5"	5"	5"	5"	5"
18	Sight Glass in Condenser—Diameter			5"	5"	5"	5"	5"	5"
19	Light Glass in Pan—Diameter		5"	5"	5"	5"	5"	5"	5"
20	Light Glass in Condenser—Diameter			5"	5"	5"	5"	5"	5"
21	Striking Cup Valve	Size Connection	1 1/2"	1 1/2"	1 1/2"	1 1/2"	1 1/2"	1 1/2"	1 1/2"
		Size Valve	1"	1"	1"	1"	1"	1"	1"
22	Temperature—Vacuum Gauge	Size Thread	1/4"	1/4"	1/4"	1/4"	1/4"	1/4"	1/4"
		Diameter	5"	5"	5"	5"	5"	5"	5"

Mojonnier Bros. Co.

4601 WEST OHIO STREET

CHICAGO 44, ILLINOIS

NEW YORK, NEW YORK • OAKLAND, CALIFORNIA • DALLAS, TEXAS • BIRMINGHAM, ALABAMA • LAKELAND, FLORIDA

KANSAS CITY, MISSOURI • MINNEAPOLIS, MINNESOTA • COLUMBUS, OHIO • CINCINNATI, OHIO

DETROIT, MICHIGAN • PHILADELPHIA, PENNSYLVANIA • BETHLEHEM, PENNSYLVANIA • QUINCY, MASSACHUSETTS