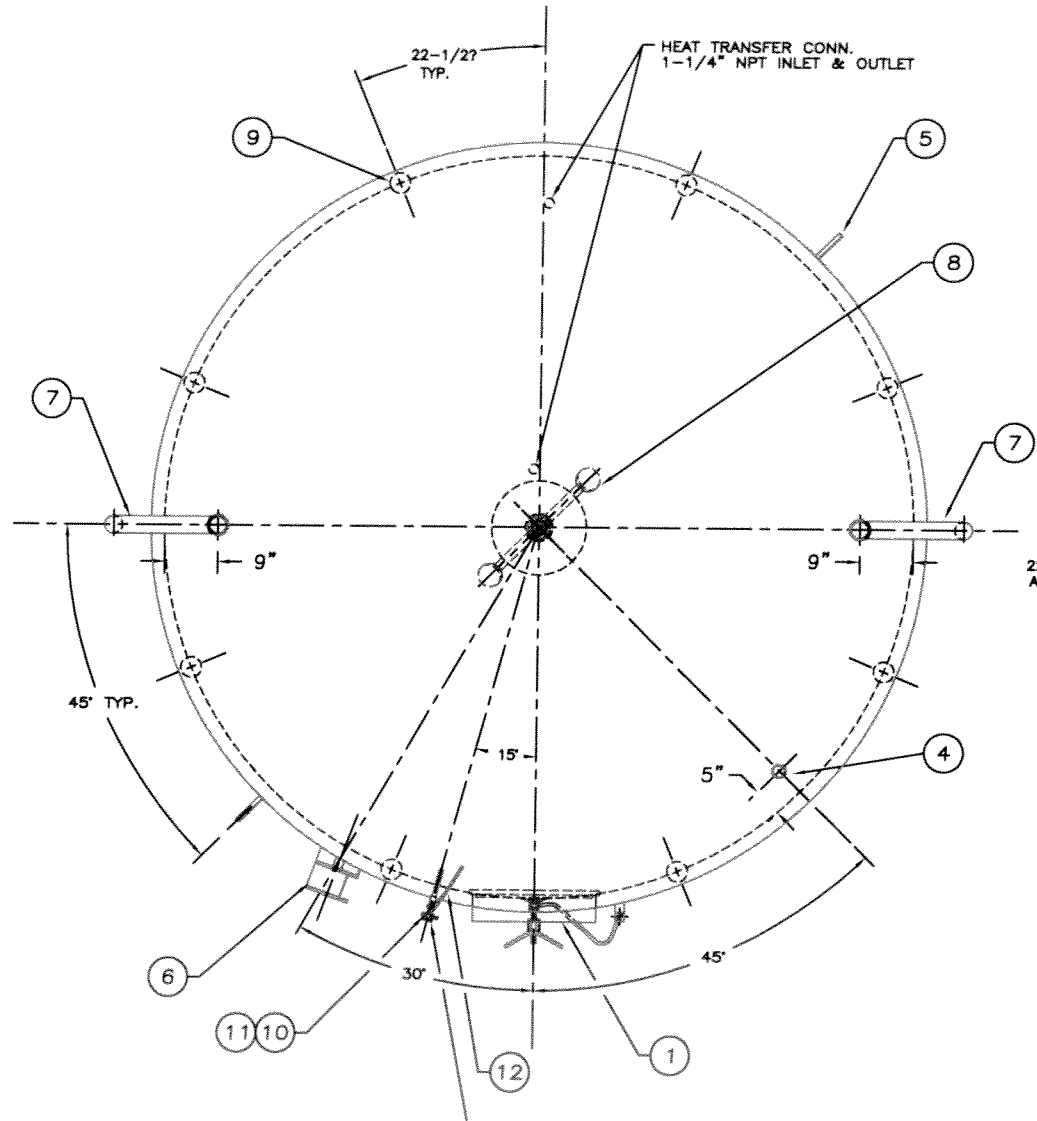


THIS DRAWING IS THE PROPERTY OF CHERRY-BURRELL. THE RECIPIER FOR FORWARDING HEREON & CONSTRUCTION AND SHALL NOT BE LOANED OR REPRODUCED IN ANY MANNER WITHOUT THE WRITTEN AUTHORIZATION OF CHERRY-BURRELL CORPORATION.

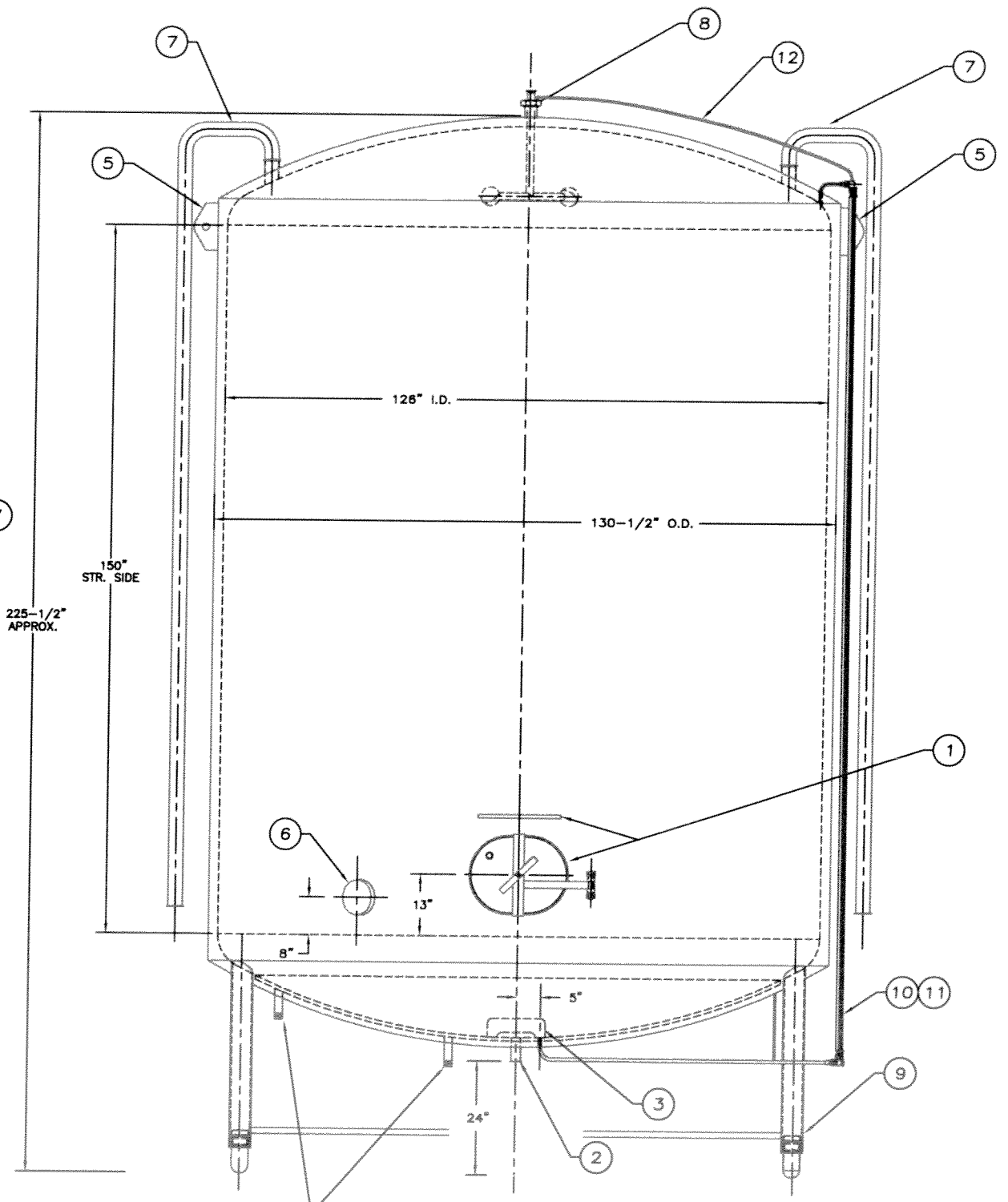
VESSEL TOLERANCES

WELDS	± 1/8" DIA.
LEAD STRAIGHTNESS	± 1/8" DIA.
FORMING STRAIGHTNESS	± 1/8" DIA.
PIPELINE LOCATION	± 1/8" DIA.
LEAD SQUARENESS	± 1/8" DIA.
LEAD SQUARENESS	± 1/8" DIA.



PLAN VIEW

RECOMMENDED LIQUID LEVEL GAUGE LOCATION SEE CWD. BC1158 MKD FOR INSTALLATION DETAILS



ELEVATION

NOT PLAN VIEW FOR TRUE ORIENTATION

- (1) 8798 GALLON VERTICAL INSULATED DOMED BOTTOM TANK FOR SUCTION (77 BRK), (RATED CAPACITY IS TO THE TOP HEAD BEAM)
- DIMENSIONS**
128" Ø x 150" STRAIGHT SIDE OF THE TANK x APPROX 225-1/2" OVERALL HEIGHT TO THE TOP OF THE TANK
- LINING**
MATERIAL TYPE 304 SS, #4 FINISH INSIDE
LINING SHELL - 12 GA
ASME TOP HEAD - 10 GA
ASME BOTTOM HEAD - 10 GA
- FINISH**
INTERNAL AND EXTERNAL WELDS GROUND AND POLISHED - 150 GRIT MIN.
NOTE: - SCOTCH BRIT WELD FINISH OUTSIDE ON LEG BRACING, LIFTING LUGS AND MANHOLE HARDWARE
- HEAT TRANSFER SURFACE**
70 SQ. FT. OF DIMPLE SURFACE ON THE BOTTOM HEAD ONLY. (1) ZONE BASIC HEADER DESIGN WITH 1-1/4" NPT MALE CONNS. FOR STEAM OR WATER - (LESS CONTROLS)
- INSULATION**
2" POLYCYTRENE INSULATION ON THE SIDEWALL
2" SOFT FIBERGLAS INSULATION ON THE HEADS
- OUTER TRIM**
SIDEWALL - 12 GA, 304 SS, #4 FINISH
DISHED TOP - 12 GA, 304 SS, #4 FINISH
DISHED BOTTOM - 12 GA, 304 SS, #4 FINISH
- ① 1 - MANHOLE: 16" x 20" IN THE LOWER SIDEWALL WITH SAMPLE VALVE 304 SS HAND GRIP OVER THE MANHOLE DOOR
 - ② 1 - DIMERED MANHOLE DOOR - 304 SS (NOT SHOWN)
 - ③ 1 - OUTLET: 2" S" CONN. CENTER BOTTOM - (LESS VALVE)
 - ④ 24" OUTLET HEIGHT FROM THE FLOOR TO THE BOTTOM OF THE OUTLET FERRULE
 - ⑤ 1 - ANTI-SWIRL Baffle: WELDED IN OVER THE OUTLET
 - ⑥ 1 - INLET: 2" S" CONN. WELDED IN THE TOP HEAD
 - ⑦ 2 - LIFTING LUGS: 304 SS
 - ⑧ 1 - AGITATOR: HORIZONTAL "CBK" STYLE 5 HP SINGLE SPEED MOTOR, OPER. @ 233 RPM, 230/460/60/3 - (LESS SWITCH)
 - ⑨ 1 - ULTRA-VIOLET SYSTEM:
INCLUDES: (1) SC-2-P S/S STERILE CONDITIONER WITH 150 CFM BLOWER
(1) STR-10-P S/S TANK VENT
BOTH UNITS - (SHIPPED LOOSE)
(2) 3" S" CONNS. WELDED IN THE TOP HEAD WITH PIPING EXTENDING DOWN THE SIDEWALL
 - ⑩ 1 - SPRAY UNIT: (SB-1) REMOVABLE IN THE TOP HEAD WITH 1-1/2" S" CONN. (360 DEG. SPRAY PATTERN)
NOTE: DUAL SPRAY BALLS - 80 GPM FLOW RATE @ 25 PSI SUPPLY PRESSURE
 - ⑪ 6 - LUGS: WITH ADJUSTABLE SPUN BALL FEET - (304 SS INCLUDES: HORIZONTAL LEG BRACING - 304 SS
 - ⑫ 1 - LIQUID LEVEL GAUGE: FULL LENGTH WITH PYREX TUBE AND GUARD
 - ⑬ 1 - SCALE STRIP HOLDER: WITH SCALE STRIP
 - ⑭ 1 - SPRAY UNIT ATTACHMENTS FOR LIQUID LEVEL GAUGE
- NOTE: - ALL LIQUID LEVEL GAUGE COMPONENTS ARE TO BE SHIPPED LOOSE AND INSTALLED IN THE FIELD BY OTHERS (ITEMS 10, 11, & 12)
- NOTE: ALL VESSELS PASSIVATED AT THE FACTORY PRIOR TO SHIPMENT

NOTE: CAD DRAWING DO NOT CHANGE MANUALLY

NO.	DESCRIPTION	DATE	BY	CHKD
2	ADDED LIQUID LEVEL GAUGE ASSEMBLY	1/28/90	NJK/11/10	
1	ADDED DIMERED MANHOLE DOOR	1/28/90		



FINAL ASSEMBLY
8798gal. x 126" I.D.
E-457-90

E-457-90

INVOICE NO. 188345 QUOTE NO. 83256 (90)
SOLD TO: SHIPPED TO: