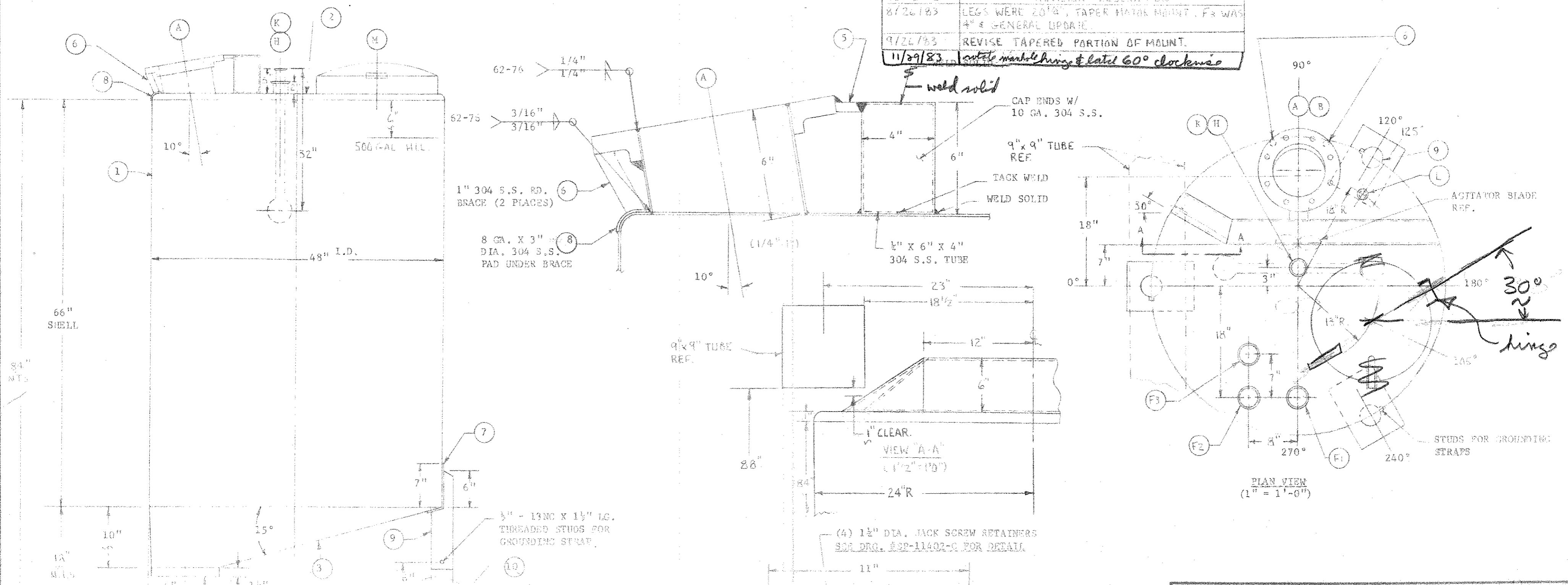


REV. DATE	REVISION DESCRIPTION
8/26/83	LEGS WERE 20" DIA, TAPER MATERIAL MOUNT. FR WAS 4" & GENERAL UPDATE
9/22/83	REVISE TAPERED PORTION OF MOUNT.
11/29/83	OUTLET MANHOLE HINGE & LATER 60° CLOCKWISE

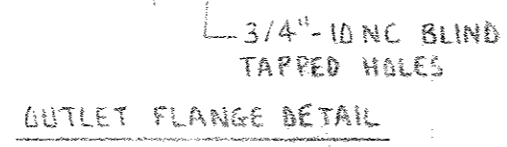


(8) 3/4"-10NC BLIND TAPPED HOLES IN OUTLET FLANGE ON 9 1/2" B.C. 6" I.D. x 11" O.D. W/1/16" RAISED FACE x 8 1/2" D.D.

ELEVATION VIEW (1" = 1'-0")

SEE LOAD CELL DETAIL PER DRT. #SP-11402-C LOWER LOAD CELL MOUNTING PLATE PER DETAIL AT RIGHT

**NOTE:**  
 - ALL BOLT HOLES TO STRADDLE MAJOR CENTERLINES  
 - COVER & PROTECT NOZZLES FOR SHIPMENT  
 - ALL NOZZLES PROJECT 4" EXCLUDING MANWAY (H)(K)(B)  
 - FINISH: INSIDE: #4 FINISH W/WELDS GROUND & POLISHED (F-6)  
 OUTSIDE: 2B FINISH W/WELDS BUFFED CLEAN & PIT FREE (F-3)  
 EMPTY WT.: APPROX. 1000 LBS.  
 VESSEL DESIGN ATMOSPHERIC PRESSURE AT 250°F.  
 ALL WELDS FULL & CONTINUOUS



**WARRANTY:**

Walker Stainless Equipment Co. warrants new tanks or equipment manufactured by us to be free from defects in material and workmanship under normal use and service for a period of 1-year after shipment from the factory.

For breach of warranty of any kind, the measure of damages to be recoverable from Walker Stainless Equipment Co. shall be limited to repair or replacement of the part or equipment which examination discloses to the satisfaction of seller to be defective, or the payment of the price or making such repair or replacement, at the option of the seller.

This warranty is expressly in lieu of all other warranties, expressed or implied, and all other obligations and liabilities on our part. Any warranty of merchantability is expressly excluded. We neither assume nor authorize any other persons to assume for us any liability in connection with the sale of our products, and no other warranty will be honored unless in writing and signed by an officer of the corporation. This warranty shall not apply to any product of our manufacture which has been repaired or altered outside our factory, or which in our opinion, has been subject to misuse, negligence or accident. Seller will not assume any charges for repairs made during warranty by anyone other than Walker Stainless. Also seller assumes no liability or responsibility for transportation to and from repair point, nor any loss of time due to repair. This warranty does not cover components of other manufacturers beyond such warranty as is made by such manufacturer.

Any action for breach of warranty shall be commenced within one (1) year of said breach or be forever barred.

All information including design details and dimensions contained hereon are confidential and proprietary and must not be reproduced, disclosed to others, or used in the production of parts shown, unless authorized in writing by Walker Stainless Equipment Company.

APPROVED FOR CONSTRUCTION  
 RD DATE 9/27/83  
 OB 81524 ASME NO. \_\_\_\_\_

ITEM	QTY	THK/SIZE	MATERIAL	DESCRIPTION	ITEM	QTY	STUB	PLANGE	SIZE	RATE	DESCRIPTION/SERVICE
12	12	1 1/2" ROUND	304 SS (SA479)	JACKING SCREWS	H	1	#APC CLAMP 304 SS	1 1/2"	-	REMOVABLE SPRAYBALL ASS'Y 80 CPM W 20 PSIG SB-1	
11	3	1" X 8" X 11"	304 SS (SA240)	LOWER LOAD CELL MOUNTING PLATE	K	1	L15A7 316 SS	2"	-	BEVEL SEAT FERRULE W/13H NUT & RETAINER	
10	3	1" X 8" X 8"	304 SS (SA240)	UPPER LOAD CELL MOUNTING PLATE	A	1	SCH. 10 316 SS (SA312)	304 SS (SA182)	1 1/2" I.P.S. 150#	R.F. SLIP-ON FLANGE (AGITATOR) ANS1	
9	3	3" SCH. 40	304 SS (SA312)	PIPE LEGS	L	1	316 SS (SA182)	1"	NPT 6000#	WALF COUPLING (LEVEL PRESS)	
8	2	8 GA. X 3" DIA.	304 SS (SA240)	REINFORCING PAD	F3	1	SCH. 10 316 SS (SA312)	3"	I.P.S. 150#	PIPE STUB (INLET) X 4" LONG	
7	3	10 GA. X 6" WIDE	304 SS (SA240)	REINFORCING PAD	F1,2	2	SCH. 10 316 SS (SA312)	3"	I.P.S. 150#	PIPE STUB (INLET) X 4" LONG	
6	2	1" ROUND	304 SS (SA240)	AGITATOR BRACE	B	1	316 SS (SA182)	6"	I.P.S. 150#	PAD FLANGE (OUTLET) ANS1	
5	1	3/8" X 3" LG.	304 SS (SA240)	AGITATOR BRACE	M	1	316 SS	19"	I.D. ATMOS	MANHOLE ASS'Y PER#S-3344-C	
4	1	4" X 6" X 1/2"	304 SS (SA240)	RECTANGULAR TUBE							
3	1	12 GA.	316 SS (SA240)	BOTTOM HEAD-(15° SLOPED TO OUTLET)							
2	1	12 GA.	316 SS (SA240)	TOP HEAD (FLAT W/1" K.R.)							
1	1	12 GA.	316 SS (SA240)	SHELL							

**Ingrid Walker Fibo**  
**WALKER STAINLESS EQUIPMENT CO., INC.**  
 NEW LISBON, WISCONSIN 53950

SCALE AS NOTED	APPROVED BY	DRAWN BY C.B.
DATE: 7-29-83		REVISED
500 GAL. REWORK - RECLAIM PREBATCH TAG NO. 1703		
JOB	DRAWING NUMBER	
PETER PAUL CADBURY, HAZLETON, PA.	SE-11428-C	

NOTE - DO NOT SCALE THIS DRAWING!