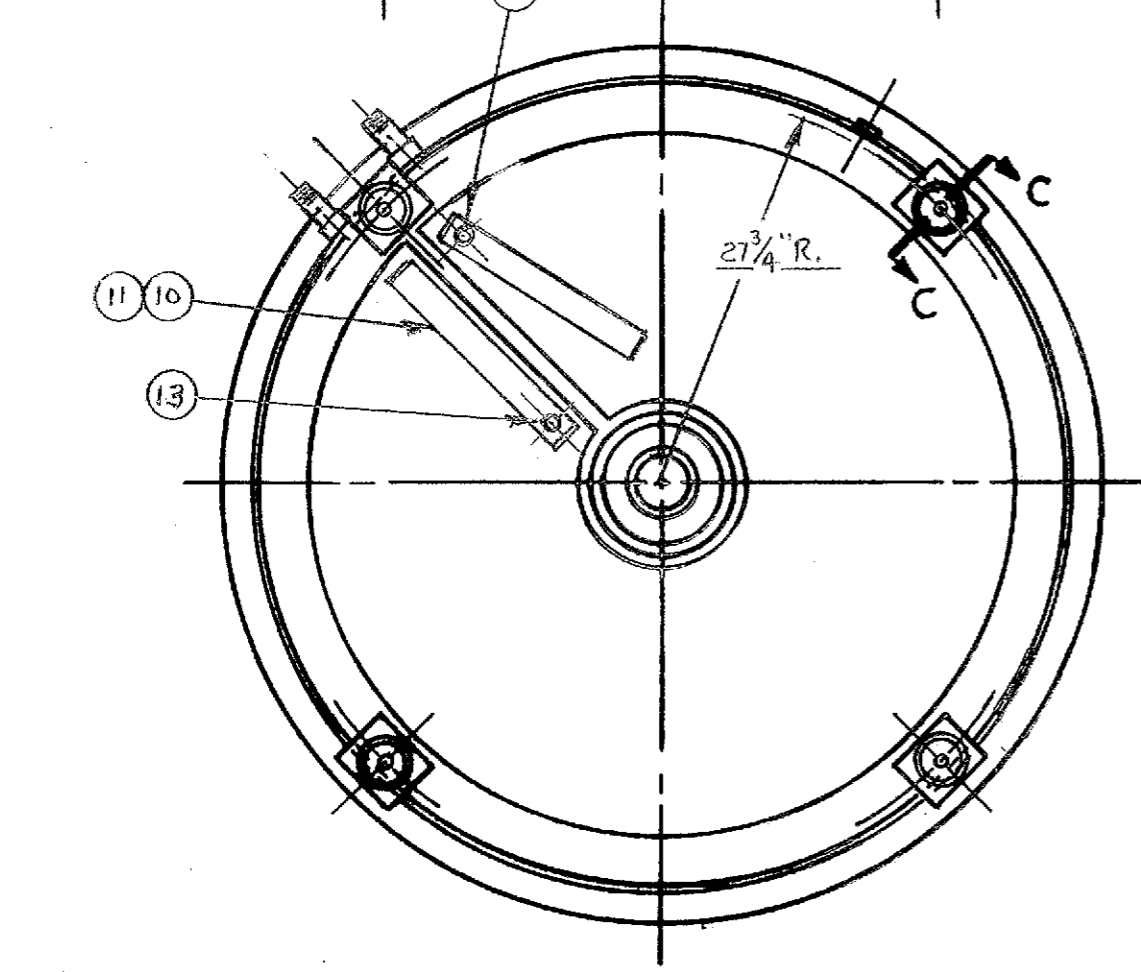


(2) TANKS REQ'D AS SHOWN

- NOTE:
1. 150 GRIT FINISH INSIDE W/WELDS GRD. & POL.
 2. DIMP. JKT. ASME CODED FOR 75 PSI @ 320°F (128 PSIG TEST)



ITEM NO.	PART NO.	DESCRIPTION	MATERIAL SPEC	NO. REQ'D
ORDR. NO.	B2F-28932			
NO. REQ'D	2			
REV		DATE	DO NOT SCALE DRAWING	
A			TOLERANCE UNLESS SPECIFIED	
B			FRACTION ± .005	
C			DECIMAL ± .005	
D			ANGULAR ± .5°	
E			SCALE NONE	
DRAWN		DATE	CHECKED	APR.
JRH		4-18-82		
DWG. NO.		REV		
C-25031				

